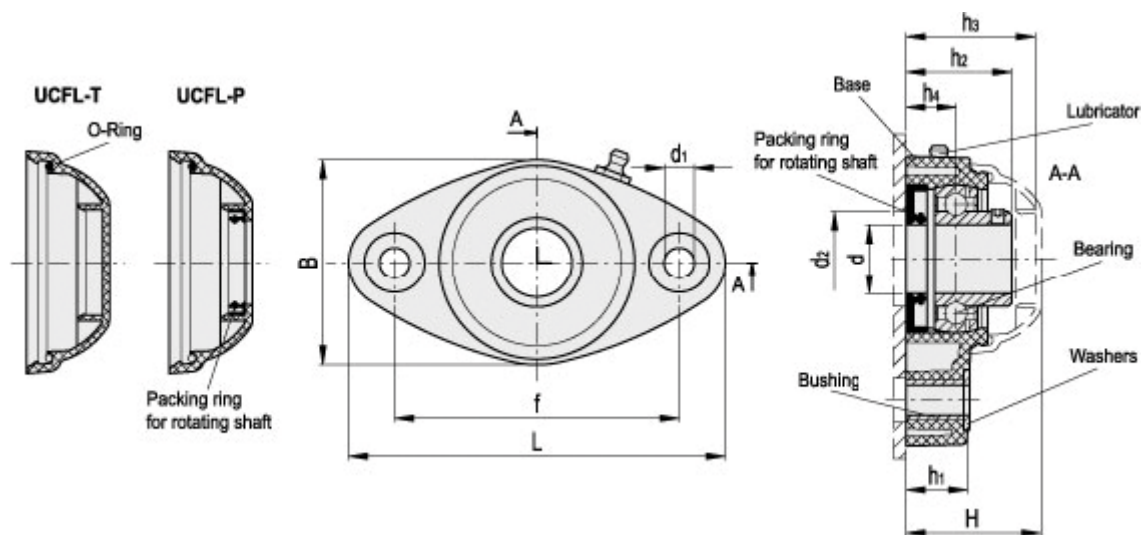


Article number: 2310419552

Description: E+G flanged self-aligning brackets UCFL.205-B-25-T

## Measures



B	= 72	f	= 99
Bearing dynamic load in N	= 14000	H	= 49
Bearing static load in N	= 7000	h1	= 22
Bracket load in N	= 10000	h2	= 36
d	= 25	h3	= 47
d1	= 10.5	h4	= 17
d2max	= 50	L	= 131
d2min	= 45		